

code 124112200000300

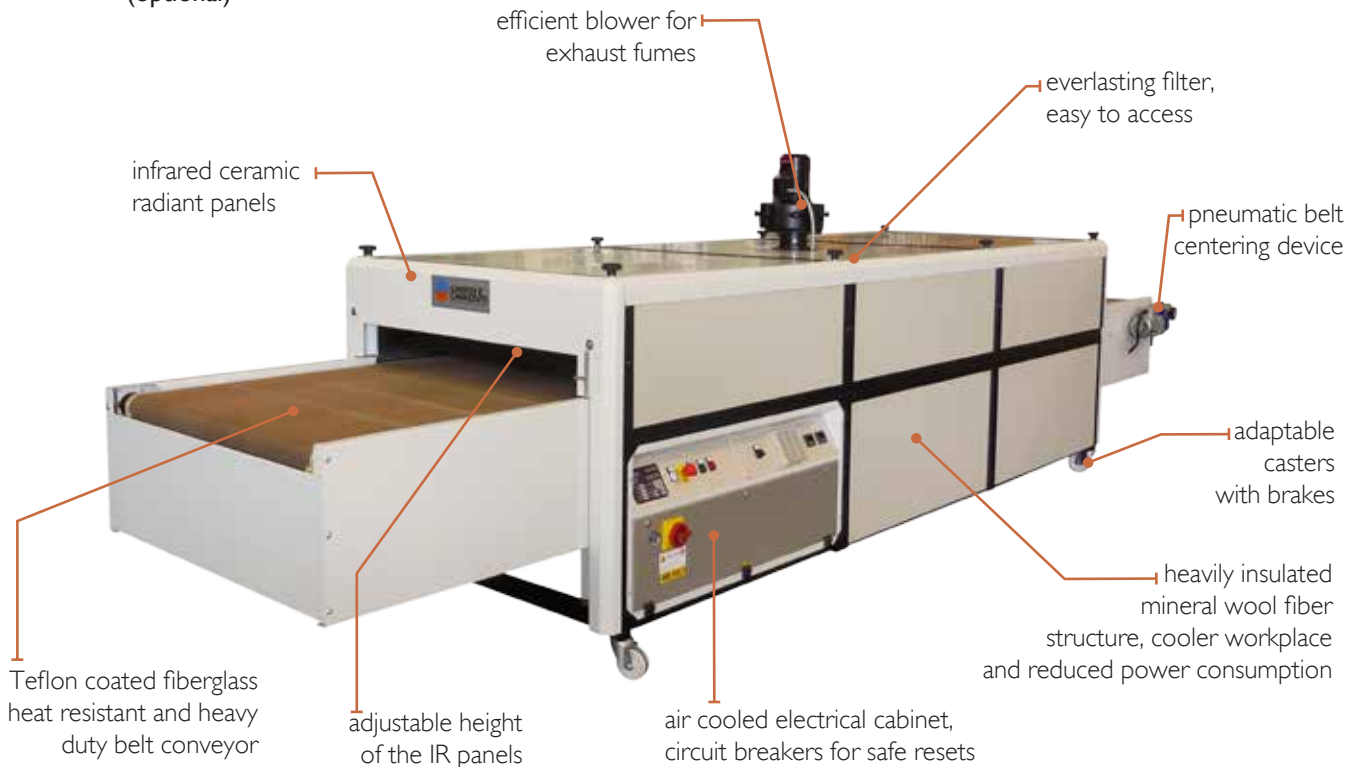


Infra Red



Forced Air
(optional)

Infra-Red Radiant Panels Dryers



Features

“Noir” is a high speed dryer designed to quickly cure Plastisol inks on fabrics.

- Precise electronic temperature regulator which acts directly on radiant panel temperature.
- High quality drying thanks to special radiant panels which no drying quality differences for light or dark colors.
- Perfect belt alignment thanks to an air-operated centering device and tensioning system that automatically compensates any stretch.
- Tunnel height can be adjusted to position the radiant panels at will to optimize drying performance.
- Cladding panels are perfectly insulated by adopting special technical measures and excellent quality materials.
- The outer surface always remains at ambient temperature, thereby reducing dispersion of heat.
- Provided with extraction fan for expulsion of exhaust fumes.

Optionals

- Forced air system to dry water-based inks
- Increase entrance height to 300mm
- Conveyor belt wide 1600mm
- Inlet and outlet extensions
- Outlet cooling system



Noir 3750 with combined IR / Air system and heating chamber height increased to 300mm

Main Application: Screen Printing - Industrial production

code 124112200000300

Configurations

Noir 3750

Curing Area: 3750x1050 mm

Power: 20,5 kW

Production: 680 pieces/h

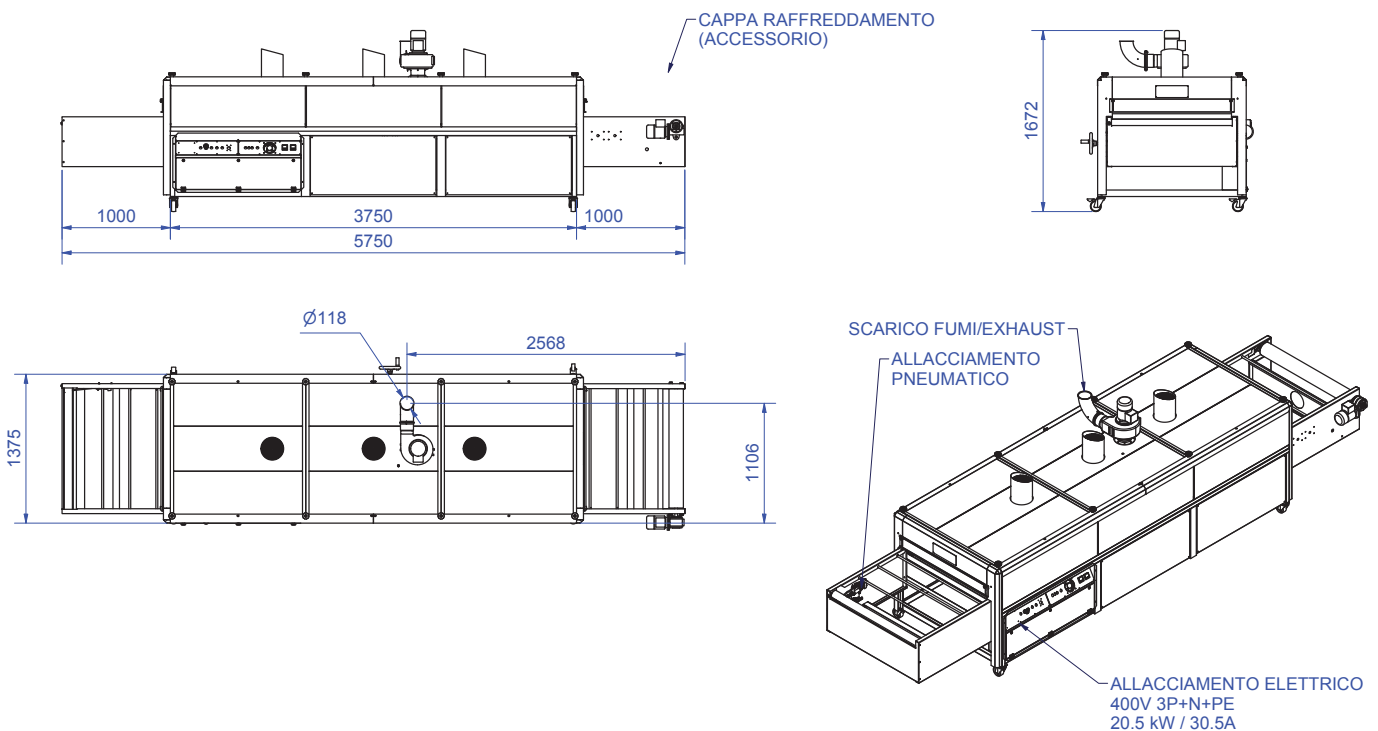


TECHNICAL DATA	NOIR 3750
Power Supply	400V 3P+N+PE - 30.5 A
Exhaust Specification	600 m³/h - Ø 125 mm
Max Temperature (IR Panels)	550 °C
Power Consumption (max)	20,5 kW
Belt Width [mm]	1050
Tunnel Length [mm]	3750
Production ¹	680 pieces/h
Dimension ² (LxWxH)[mm]	5750 x 1380 x 1640
Shipping Weight	955 kg

¹ Production of T-shirts with A4 print size - 1,5 minutes curing time

² Dimension and Weight can change accordingly to inlet/outlet extensions or installed optionals.

Other configurations are available on demand



The data in this document was valid at the time of publishing, and is subject to change without notice. Chiozzi e Cavazzuti srl reserves the right to modify its products and change their specifications at any time, without prior notice and further obligation. It is forbidden without prior authorization from Chiozzi e Cavazzuti srl to copy, modify, alter, publish, distribute, sell or transfer this material. All rights reserved.